

## HORIZONTAL PROFILE PROJECTOR WITH DIGITAL DATA PROCESSOR

### DESCRIPTION:

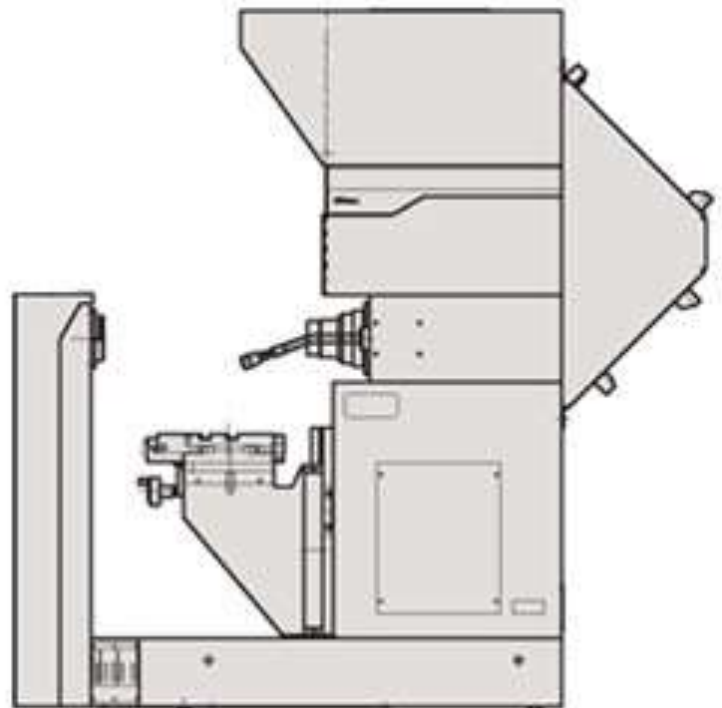
OUR Horizontal Profile Projectors have a wide lens magnification range. These Profile Projectors comes with a horizontal light axis, the helix angle adjustment of the work stage ensures a perfect thread form projection. Moreover, the work stage of these optical shadowgraphs has highly accurate linear guideways.

This instrument can effectively test the profile, section and surface shapes of various complicated workpieces, such as temples, punching pieces, cams, gears, forming cutters, mercerizes etc. It is widely used in workshops and measuring stations of those industries: machinery, instrument & meter, watchmaking, mould and electron etc.

HPH AZ-SERIES

### FEATURES: -

- ☞ It is horizontal structure, so it is convenient to measure axial workpieces, and it has a long working distance.
- ☞ The up and down movement system and work table transmission both adopt the imported V-style straight-line guide, so transmission is very smooth and comfortable.
- ☞ Two kinds of illumination systems (high and low levels) can meet various illumination requirements of different work pieces and materials.



**Registered Office:** UGF-12 Ansal Plaza-1 Chiranjeev Vihar Ghaziabad-201002 (U.P.) INDIA

**Workshop:** Khasra No - 63 Village Bayana, Near Wave City, NH 24, Ghaziabad -201015 (U.P.) INDIA

Phone : +91- 8750305291

Email : [info@hsmleindia.in](mailto:info@hsmleindia.in) / [sales@hsmleindia.com](mailto:sales@hsmleindia.com)

Website : [www.hopesmluckyenterprises.in](http://www.hopesmluckyenterprises.in) / [www.hsmleindia.com](http://www.hsmleindia.com) (Under Construction)

- ☞ Reflecting illumination adopts fibre-optic transmission, so it has the characteristics of small volume, high brightness and convenient operation
- ☞ The worktable is made of aluminium alloy material, so it is very light.
- ☞ Image of is clear and symmetrical
- ☞ It is convenient to trim and file the templates, mould and axial work-piece on the worktable.
- ☞ Powerful built-out digital displayer is convenient for operation.
- ☞ Worktable can deflect  $\pm 15^\circ$ , so it is available to measure screw angle work-pieces.

### TECHNICAL SPECIFICATIONS:

MODEL	HPH-12AZ	HPH-16AZ	HPH-20AZ	HPH-24AZ
Screen dia	300 mm	400 mm	500 mm	600 mm
Magnification	10X	10X	10X	10X
Work Stage	300 x 200mm	550 x 200mm	650 x 300mm	650 x 300mm
Travel	150 x 100mm	170 x 135mm	220 x 170mm	270 x 170mm
Movement	With fine-pitch lead-screw	With fine-pitch lead-screw	With fine-pitch lead-screw	With fine-pitch lead-screw
Dist. Between centre	150mm	300mm	300mm	300mm
Centre height	75mm	150mm	150mm	150mm
Illumination	24V-150W halogen bulb	24V-150W halogen bulb	24V-150W halogen bulb	24V-150W halogen bulb
Lens Mounting	Insert	Turret type	Turret type	Turret type
Accuracy	0.10% on dia & 0.15% on Surface	0.10% on dia & 0.15% on Surface	0.10% on dia & 0.15% on Surface	0.10% on dia & 0.15% on Surface

*\*Image is for reference only Due to product upgradation the image & specification are subject to change.*

A large, faint watermark of the HSMLE logo is centered on the page. It consists of a diamond-shaped border containing the letters 'HSMLE' in a bold, sans-serif font. The watermark is semi-transparent and serves as a background for the page.

**HSMLE**

**Registered Office:** UGF-12 Ansal Plaza-1 Chiranjeev Vihar Ghaziabad-201002 (U.P.) INDIA

**Workshop:** Khasra No - 63 Village Bayana, Near Wave City, NH 24, Ghaziabad -201015 (U.P.) INDIA

Phone : +91- 8750305291

Email : [info@hsmleindia.in](mailto:info@hsmleindia.in) / [sales@hsmleindia.com](mailto:sales@hsmleindia.com)

Website : [www.hopesmluckyenterprises.in](http://www.hopesmluckyenterprises.in) / [www.hsmleindia.com](http://www.hsmleindia.com) (Under Construction)