

DIGITAL MICRO VICKERS HARDNESS TESTER WITH MULTIFUNCTIONAL LARGE SCREEN



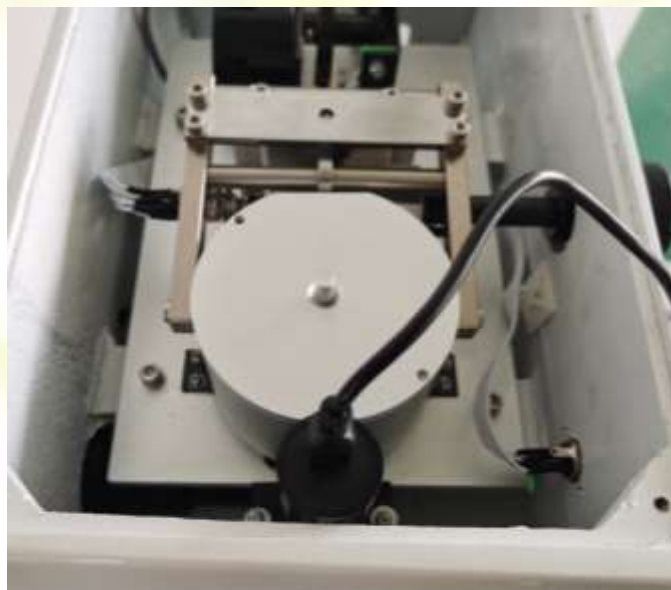
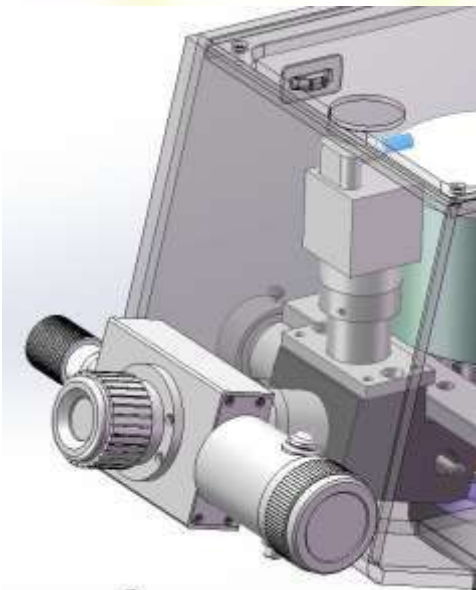
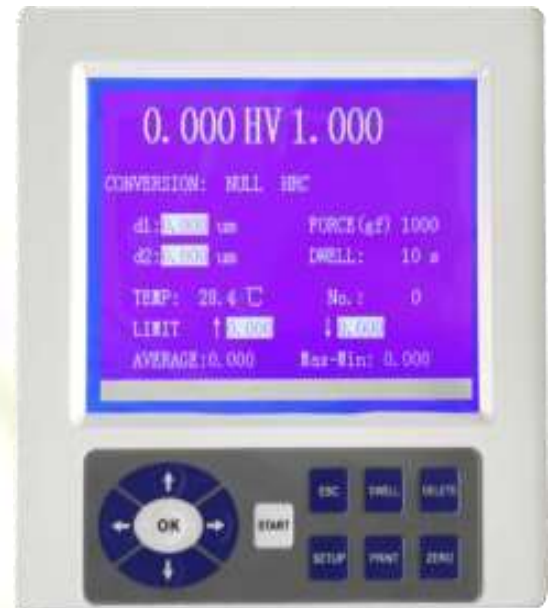
Worm Rod lifting System



Precision Screw Rod lifting System.

DESCRIPTION

- One-time casting aluminum machine body with car painting technology, structure more stable and appearance more decent.
- With large screen LCD screen display, directly display hardness value, dwell time, conversion hardness value, etc.
- Menu structure interface, easy operation.
- With HV / HK test function (if need HK test function, optional purchase Knoop diamond indenter and standard hardness blocks).
- Digital eyepiece with encoder, only click the button on encoder, the D1, D2 value will input machine automatically. No need manually input the value of diagonal length. Easy operation, greatly improve working efficiency, and test result more accurate.
- With built-in printer, test result can be printed out directly.
- With RS232 communication port, purchase our data transfer software via RS232 port can save test data to computer and by software can control machine (for Automatic turret machine)
- Double optical path design. Both eyepiece and CCD camera path can work at same time. No need switch optical path. Camera can be install inside machine (camera for optional purchase).



APPLICATIONS: -

- Steel, nonferrous metals, tinsel, cemented carbide, sheet metal, metallographic structure.
- Carburization, nitriding and decarburization layer, surface hardening layer, galvanized coating, coating.
- Glass, chip and ceramic material

TECHNICAL SPECIFICATIONS

Model No.	MVH-1000-1BM	MVH-1000-1BA
Turret	Manual turret	Automatic turret
Test force	10gf (0.098N), 25gf (0.245N), 50gf (0.49N), 100gf (0.98N), 200gf (1.96N), 300gf (2.94N), 500gf(4.9N), 1kgf (9.8N)	
Hardness scale	HV0.01, HV0.025, HV0.05, HV0.1, HV0.2, HV0.3, HV0.5, HV1	
Conversion Scale	HRA, HRB, HRC, HRD, HRF, HV, HK, HBW, HR15N, HR30N, HR45N, HR15T, HR30T, HR45T	
Hardness range	1-4000HV	
Min measuring unit	0.01µm	
Data display	Large LCD screen	
Data output	built-in printer, RS-232 port	
Test space	90mm * 95mm (Height * Throat Depth)	
X-Y Testing table	Dimension: 100x100mm Max movement: 25x25mm	
Force loading type	Automatic (Loading, Dwell, Unloading)	
Magnification	Eyepiece: 10X; Objective: 10X (observation use); 40X (measuring use) Total: 100X (observation); 400X (Measuring)	
Duration time	1-99s	
Power supply	AC220V±5%, 50-60Hz	
Machine size	405*290*480mm; Net weight: 40kg	
Package size	550x370x720mm; Gross weight: 56kg	

STANDARD ACCESSORIES: -

Item Name	Q'ty	Item Name	Q'ty
Weight shaft	1 pc	Weights	6 pcs
X-Y Cross clamping testing table	1 pc	Flat clamping testing table	1 pc
Thin Specimen Testing Table	1 pc	Micro Vickers hardness block	2 pcs
Printer paper	1 pc	Level adjustment screw	4 pcs
Gradienter	1 pc	Objective 10X, 40X	1+1 pc
Power cable	1 pc	Eyepiece 10X	1 pc
Dust-proof cover	1 pc	Screw driver	2 pcs
Fuse (2A)	2 pcs	Manual Book & Quality Certificate	1 pc

Registered Office: UGF-12 Ansal Plaza-1 Chiranjeev Vihar Ghaziabad-201002 (U.P.) INDIA

Workshop: Khasra No - 63 Village Bayana, Near Wave City, NH 24, Ghaziabad -201015 (U.P.) INDIA

Phone : +91- 8750305291

Email : info@hsmleindia.in / sales@hsmleindia.com

Website : www.hopesmluckyenterprises.in / www.hsmleindia.com (Under Construction)

FEATURES: -

Precision digital eyepiece (10X) with inbuilt encoder, automatic calculate



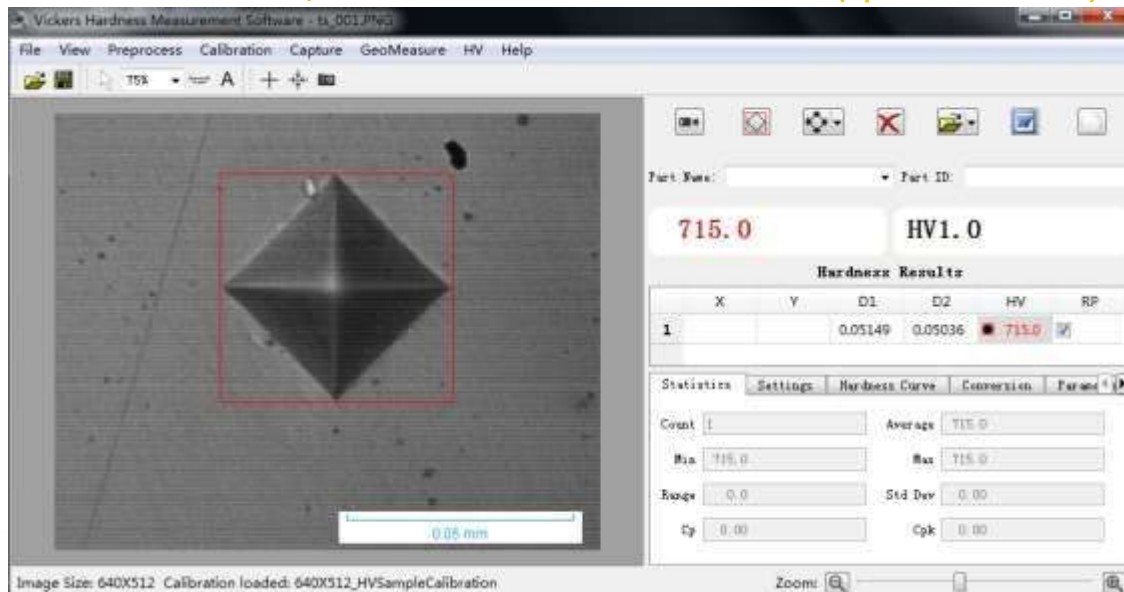
LED Cold light source (can be continuous use for 24 hours, no heat generates ensure stable working, servicing life can reach 100,000 hours); Lightness can be adjusted, avoid visual fatigue of operator.

X-Y Testing table of Micro Vickers hardness tester
 Dim.:100×100 mm,
 Max. Travel Range: 25×25mm,
 Moving Resolution Ratio: 0.01mm



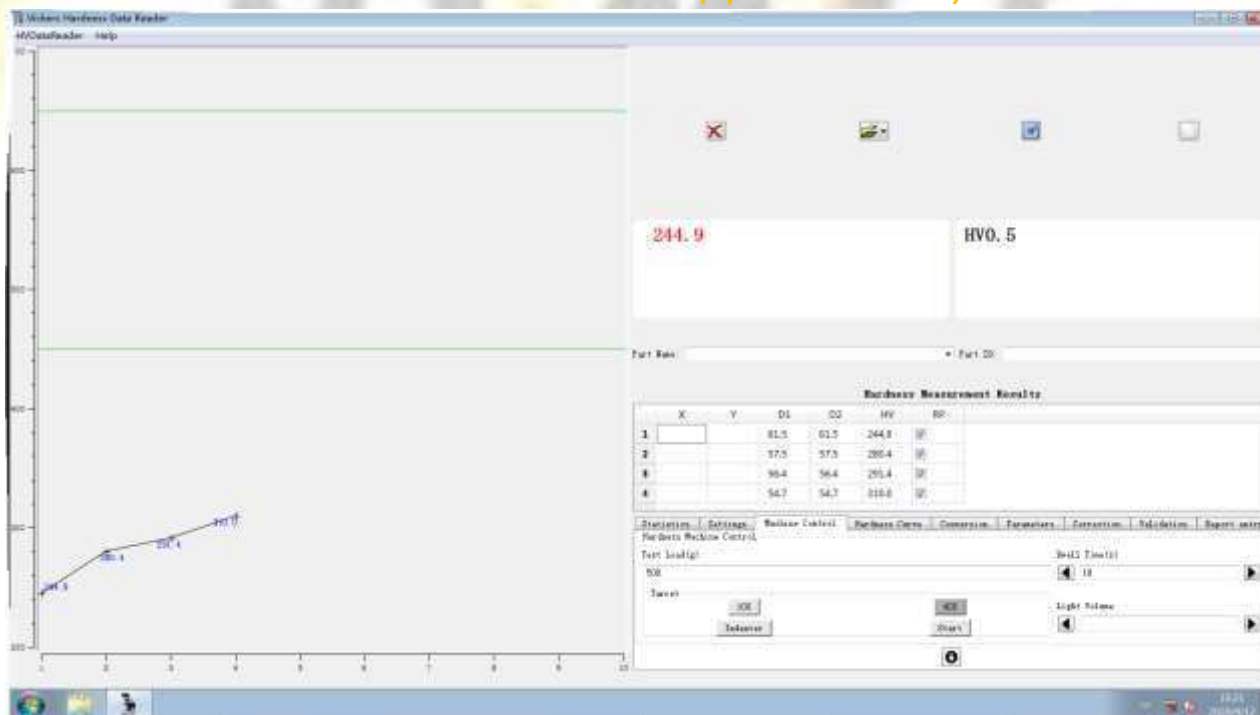
Inbuilt thermal printer can print test data directly; RS232 port can communication with computer, via our data transfer software can save test data to computer and generate test report; Work with our professional HV hardness measure software can do more analysis work

BHVS-A Micro / Vickers Hardness Measurement Software (Optional Purchase 1)



Software support automatic measurement & manual measurement, can generate test report automatically in word / Excel format, including hardness value, test force, indentation image and hardness curve, etc.

Data Transfer Software (Optional Purchase 2)



Software can control the machine turret and generate test report including hardness value curve. Software install on the computer, connect with hardness tester through RS232 port. All the testing result can save to computer and generate test report in word format.